

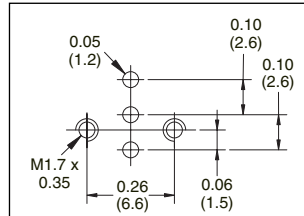
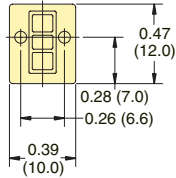
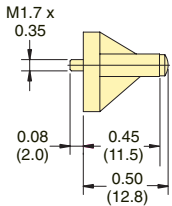
# NEW! 10 MM MINIATURE VALVE ACCESSORIES



## Cover Plate

Manifold Cover Plate includes plate, gasket and two screws.

**Order No.**  
E10M-CP      10 mm Cover Plate



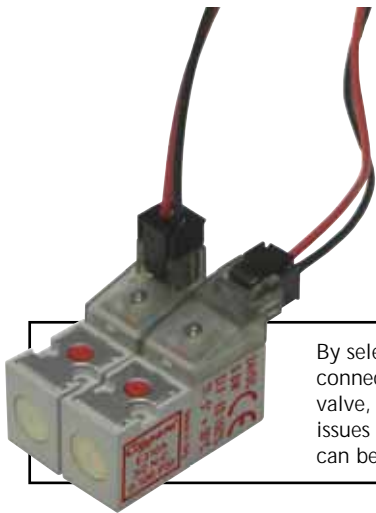
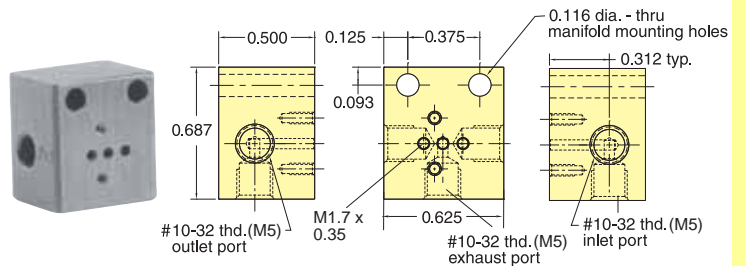
Mounting Interface



## Manifolds

Manifolds are available for one to 12 valves, and are supplied with mounting screws and gaskets. Spare hardware and closing plates also available. Add -M5 for Metric ports.

**Order No.**  
E10M-01      Single Station Manifold



By selecting the appropriate connector type for your 10 mm valve, tight spaces, orientation issues and electrical requirements can be accommodated easily.

## Connectors

Wire Connector must be ordered separately.



**Order No.**  
C2A-RB300      Connector with Cable, 11.8" (300 mm)  
C2A-RB600      Connector with Cable, 23.62" (600 mm)  
C2A-RB1000      Connector with Cable, 39.37" (1,000 mm)

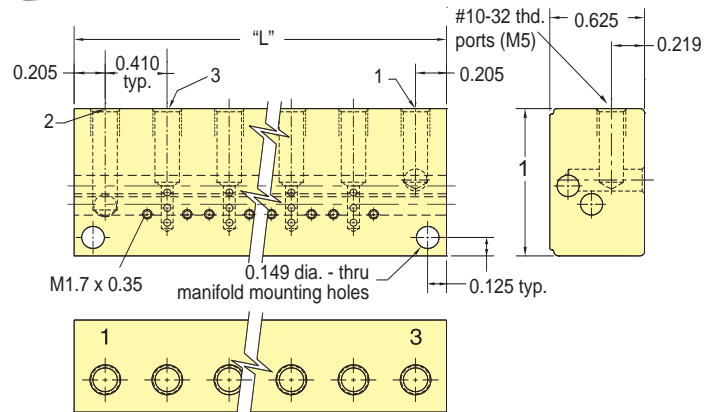
Molex connector #050013-80000.



Custom plugs, wire lengths, connectors and flavors are available for your specific requirements. Call for details.



Multi-Station Manifolds



| Stations | Order No. | "L" Dimension |
|----------|-----------|---------------|
| 2        | E10M-02   | 1.64 (41.7)   |
| 4        | E10M-04   | 2.46 (62.5)   |
| 6        | E10M-06   | 3.28 (83.3)   |
| 8        | E10M-08   | 4.10 (104.1)  |
| 10       | E10M-10   | 4.92 (125.0)  |
| 12       | E10M-12   | 5.74 (145.8)  |

Consult factory for custom manifolds